

# SAVING ENERGY FOR THE FUTURE

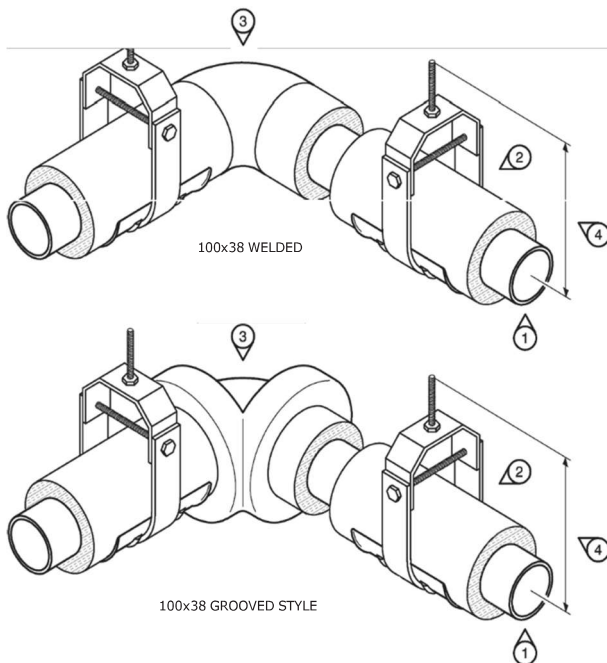


## KEEPING YOU INFORMED

IPS	MIN. DISTANCE BETWEEN PIPE CENTRES AND CEILING (mm)			
	GROOVED FITTING STYLE		WELDED	
	25mm THICK	38mm THICK	25mm THICK	38mm THICK
50	113	125	75	88
75	138	138	88	100
100	163	163	100	113
150	188	200	125	138
200	225	238	150	163
250	250	263	175	188
300	275	288	200	213

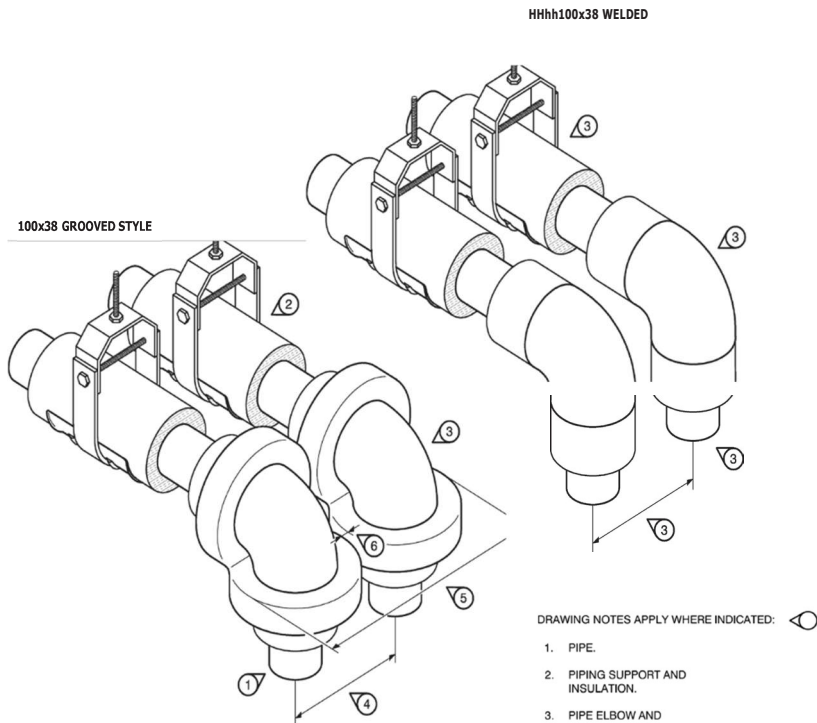
IPS	MIN. DISTANCE BETWEEN PIPE CENTRES (mm)				OVERALL WIDTH OF PAIRED INSULATED GROOVED FITTING	
	GROOVED FITTING STYLE		WELDED		25mm THICK	38mm THICK
	25mm THICK	38mm THICK	25mm THICK	38mm THICK		
50	225	250	138	163	463	488
75	250	275	163	188	525	550
100	300	325	188	213	613	638
150	363	388	250	275	763	788
200	438	463	300	325	900	925
250	500	525	350	375	1000	1025
300	550	575	400	425	1113	1138

\* If using heat trace increase pipe by one nominal size



DRAWING NOTES APPLY WHERE INDICATED:

1. PIPE.
2. PIPING SUPPORT AND INSULATION.
3. PIPE ELBOW AND INSULATION.
4. MINIMUM DISTANCE BETWEEN PIPE CENTRE AND CEILING.



DRAWING NOTES APPLY WHERE INDICATED:

1. PIPE.
2. PIPING SUPPORT AND INSULATION.
3. PIPE ELBOW AND INSULATION.
4. MINIMUM DISTANCE BETWEEN PIPE CENTRES.
5. OVERALL WIDTH OF PAIR OF INSULATED VICTAULIC STYLE PIPE ELBOWS.
6. NOMINAL DISTANCE BETWEEN PAIR OF VICTAULIC INSULATION ELBOW INSULATION EQUAL TO 7mm.