

SAVING ENERGY FOR THE FUTURE

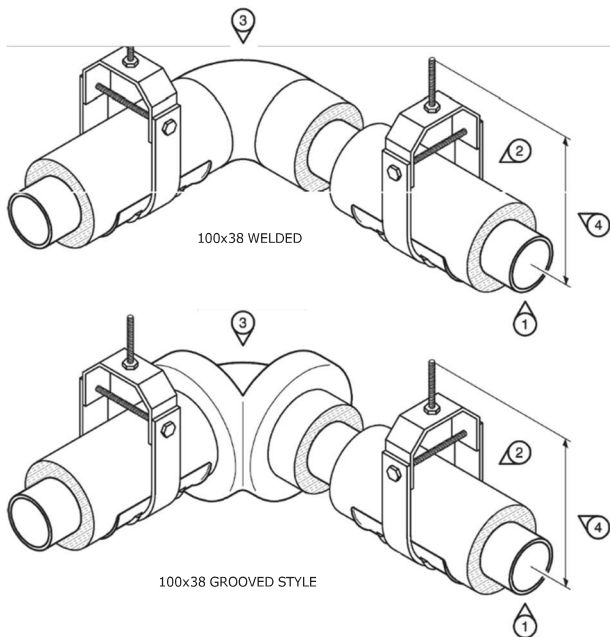


KEEPING YOU INFORMED

IPS	MIN. DISTANCE BETWEEN PIPE CENTRES AND CEILING (inches)			
	GROOVED FITTING STYLE		WELDED	
	1" THICK	1.5" THICK	1" THICK	1.5" THICK
2"	4 ½"	5"	3"	3 ½"
3"	5 ½"	5 ½"	3 ½"	4"
4"	6 ½"	6 ½"	4"	4 ½"
6"	7 ½"	8"	5"	5 ½"
8"	9"	9 ½"	6"	6 ½"
10"	10"	10 ½"	7"	7 ½"
12"	11"	11"	8"	8 ½"

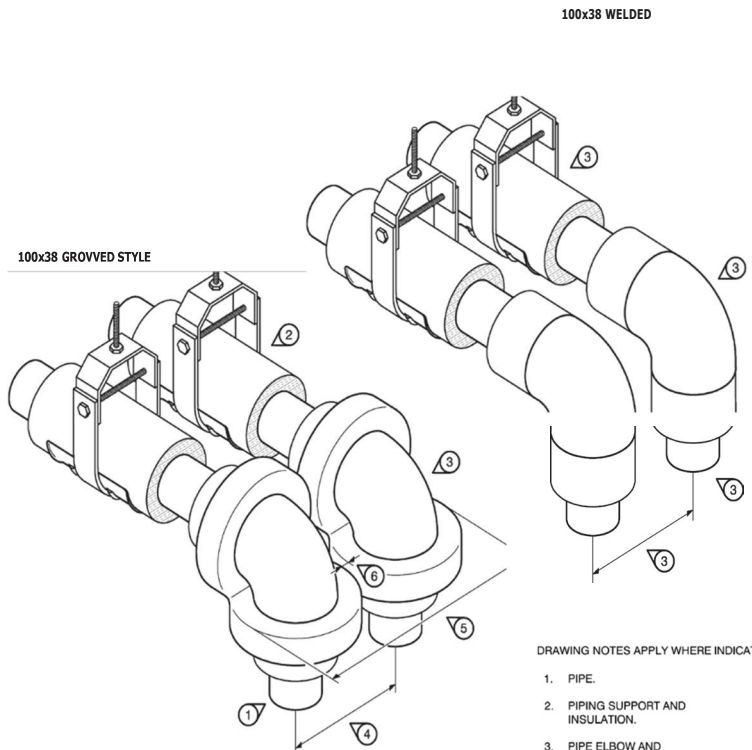
IPS	MIN. DISTANCE BETWEEN PIPE CENTRES (inches)				OVERALL WIDTH OF PAIRED INSULATED GROOVED FITTING	
	GROOVED FITTING STYLE		WELDED		1" THICK	1.5" THICK
	1" THICK	1.5" THICK	1" THICK	1.5" THICK		
2"	9"	10"	5 ½"	6 ½"	18"	19"
3"	10"	11"	6 ½"	7 ½"	21"	22"
4"	12"	13"	7 ½"	8 ½"	24"	25"
6"	14"	15"	10"	11"	30"	31"
8"	17"	18"	12"	13"	35 ½"	36 ½"
10"	20"	21"	14"	15"	39 ½"	40 ½"
12"	22"	22 ½"	16"	17"	44"	45"

* If using heat trace increase pipe by one nominal size



DRAWING NOTES APPLY WHERE INDICATED:

1. PIPE.
2. PIPING SUPPORT AND INSULATION.
3. PIPE ELBOW AND INSULATION.
4. MINIMUM DISTANCE BETWEEN PIPE CENTRE AND CEILING.



DRAWING NOTES APPLY WHERE INDICATED:

1. PIPE.
2. PIPING SUPPORT AND INSULATION.
3. PIPE ELBOW AND INSULATION.
4. MINIMUM DISTANCE BETWEEN PIPE CENTRES.
5. OVERALL WIDTH OF PAIR OF INSULATED VICTAULIC STYLE PIPE ELBOWS.
6. NOMINAL DISTANCE BETWEEN PAIR OF VICTAULIC INSULATION ELBOW INSULATION EQUAL TO 7mm.